

**Pablo®**

BEL  
OCCHIO

**ASSEMBLY & INSTALLATION INSTRUCTIONS**

**TABLE OF CONTENTS**

pg. 2-5.....BEL OCCHIO TABLE/PENDANT  
pg. 6-9.....BEL OCCHIO CHANDELIER

---

Pablo®

BEL  
OCCHIO

**ASSEMBLY & INSTALLATION INSTRUCTIONS**

INFO@PABLODESIGNS.COM  
888 MARIN STREET  
SAN FRANCISCO, CA  
94124

PABLODESIGNS.COM



APPROVED COMPONENTS

# BEL OCCHIO

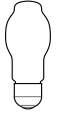
1. LOOSEN STRAIN RELIEF CAP AND FEED CORD THROUGH
2. TIGHTEN STRAIN RELIEF AT DESIRED HEIGHT AND ATTACH MOUNTING PLATE TO JUNCTION BOX
3. CUT CORD AND CONNECT LAMP WIRING TO BUILDING WIRING
4. SLIDE COVER UP TO CEILING AND SECURE WITH NUT

**BULB TYPE**

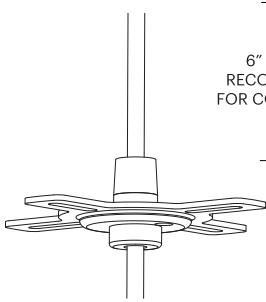
1X 75W WHITE BT - 15 MEDIUM BASE HALOGEN

**CARE INSTRUCTIONS**

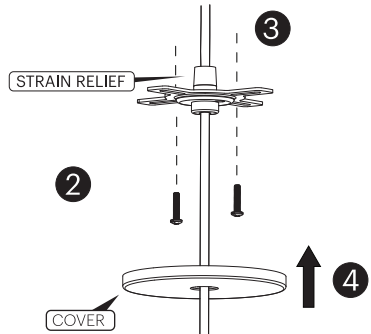
WIPE CLEAN WITH A SOFT DAMP CLOTH.  
AVOID AMMONIA-BASED CLEANERS.



6" (152MM)  
RECOMMENDED  
FOR CONNECTION

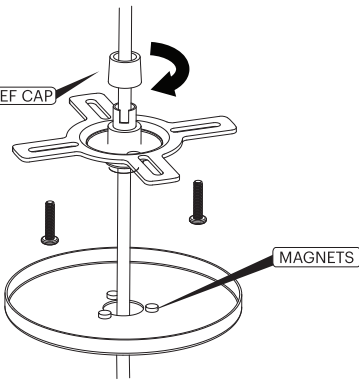


**IMPORTANT: WE RECOMMEND CEILING MOUNTING  
BE INSTALLED BY AN ELECTRICIAN**

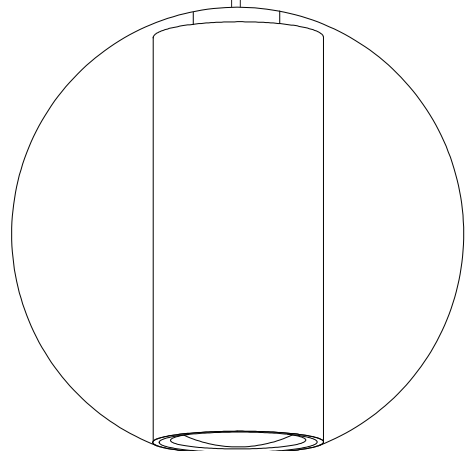


1

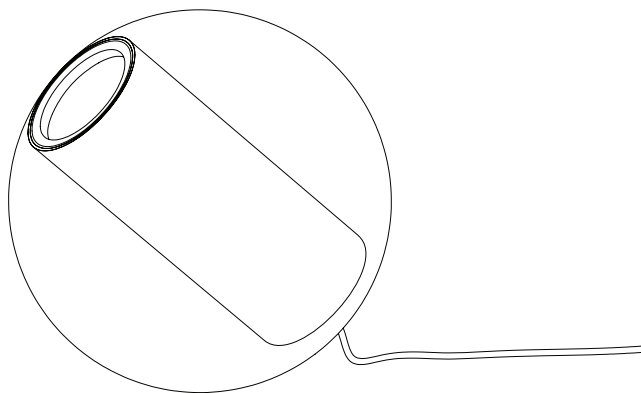
STRAIN RELIEF CAP



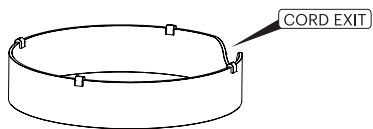
MAGNETS



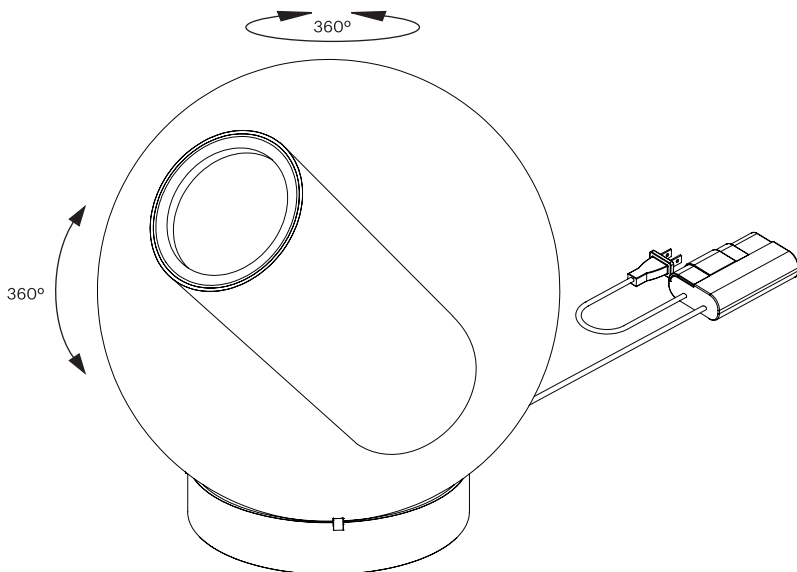
# BEL OCCHIO



- 1** PLACE BEL OCCHIO GLOBE ON  
BASE WITH CORD EXIT FACING UP

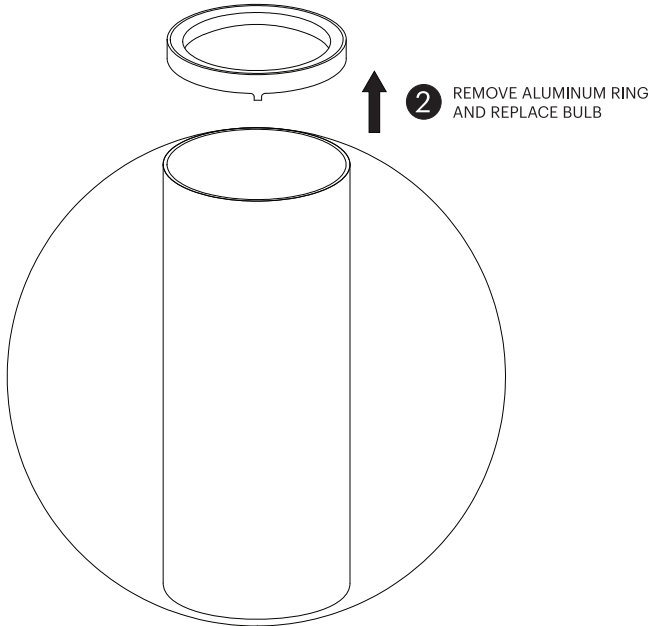
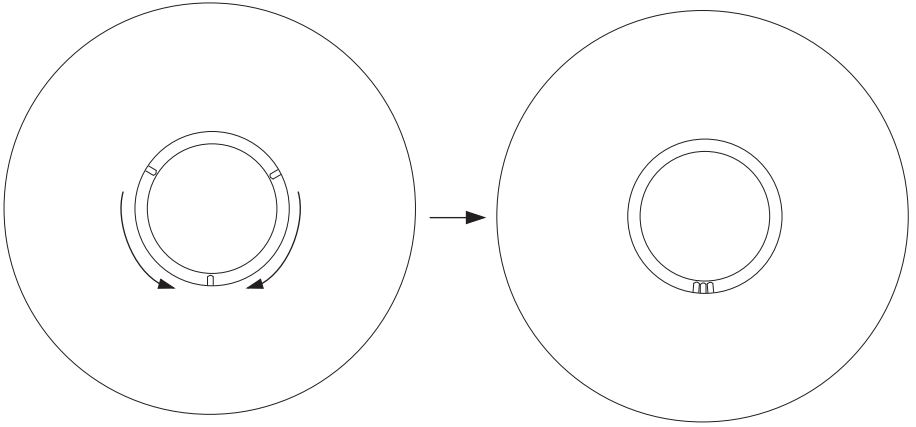


## ADJUSTMENT



# BEL OCCHIO

- 1 FOR SUSPENSION MODEL ONLY,  
SLIDE METAL TABS TOGETHER AS SHOWN



Pablo®

# BEL OCCHIO CHANDELIER

## 120V ASSEMBLY & INSTALLATION INSTRUCTIONS

INFO@PABLODESIGNS.COM  
888 MARIN STREET  
SAN FRANCISCO, CA  
94124

PABLODESIGNS.COM

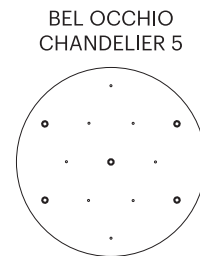
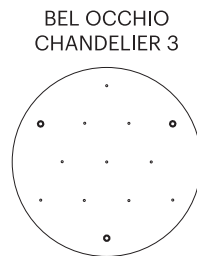
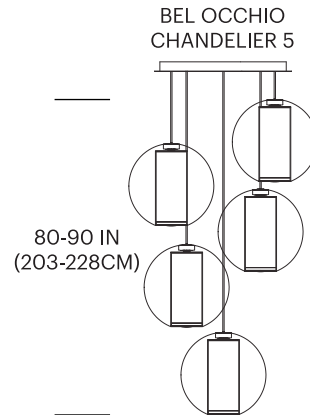
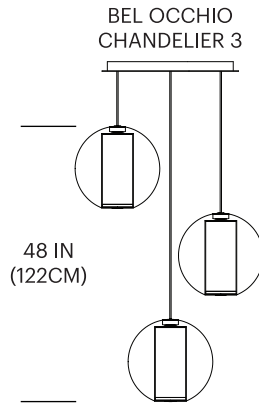
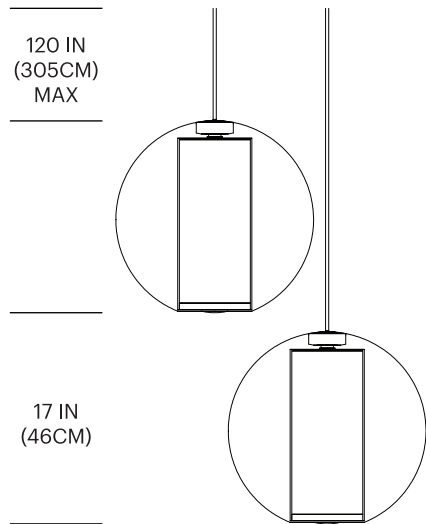


# BEL OCCHIO CHANDELIER

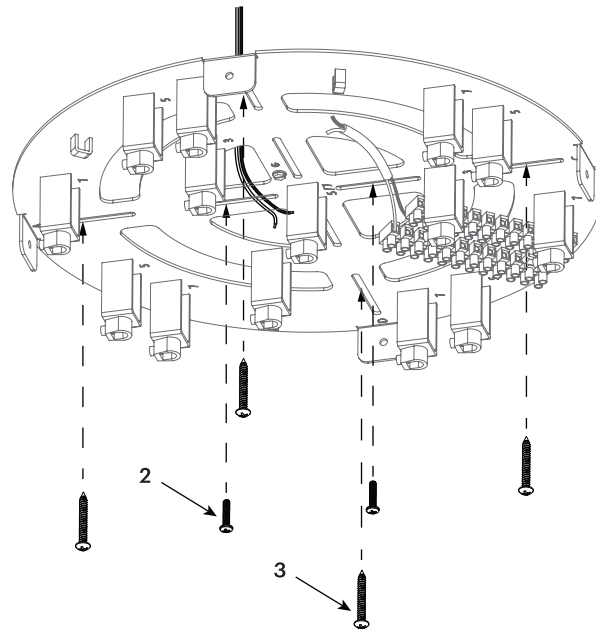
**IMPORTANT: WE RECOMMEND FIXTURE BE INSTALLED BY AN ELECTRICIAN. BEL OCCHIO CHANDELIER MUST BE SECURELY ANCHORED TO 150LBS RATED JUNCTION BOX OR MOUNTED TO CEILING STUDS.**

## SUGGESTED HANGING CONFIGURATIONS

1. DETERMINE APPROPRIATE HEIGHT ABOVE SURFACE FOR LOWEST LAMP
2. SPACE EACH LAMP 3.5 INCHES (9CM) ABOVE THE PREVIOUS LAMP
3. MOVE UPWARDS IN A SPIRAL PATTERN



### 1 ROUTE BUILDING WIRING THROUGH MOUNTING PLATE



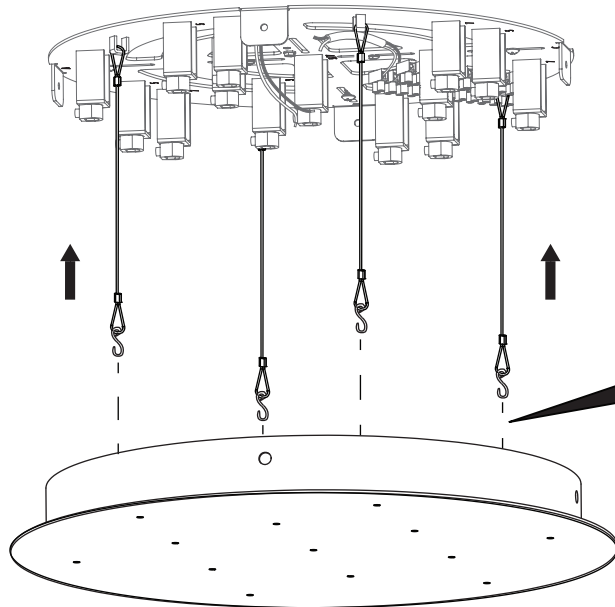
**2** ATTACH PLATE TO JUNCTION BOX WITH PROVIDED JUNCTION BOX MACHINE SCREWS

**3** ANCHOR PLATE INTO CEILING STUDS WITH PROVIDED WOOD SCREWS IF POSSIBLE. IF NOT, USE PROVIDED CEILING ANCHORS AND WOOD SCREWS TO SECURE PLATE TO CEILING

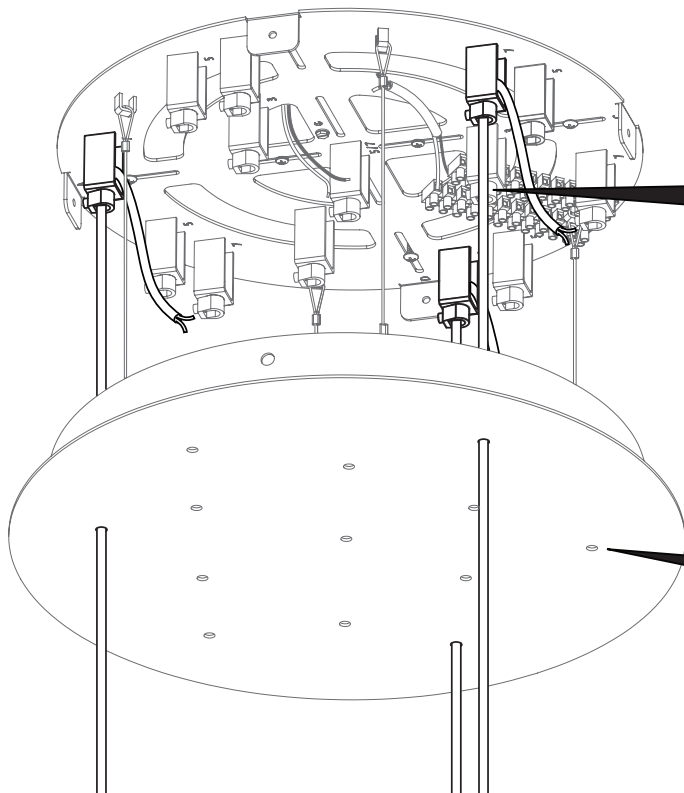
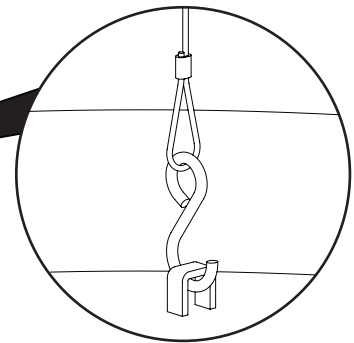
**NOTE: INSTALLATION REQUIRES STANDARD PHILLIPS HEAD SCREW DRIVER AND #2 FLAT HEAD SCREW DRIVER**

# BEL OCCHIO CHANDELIER

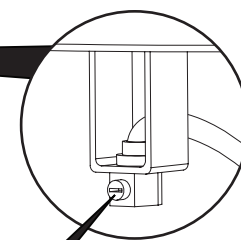
- 4** ALIGN HOLES ON MOUNTING PLATE WITH CORRESPONDING HOLES ON CANOPY COVER



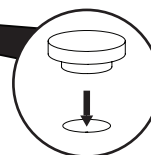
- 5** ATTACH CABLE HOOKS TO CABLE MOUNTS ON CANOPY COVER TO SUPPORT CANOPY COVER DURING INSTALLATION. CABLE HOOKS MUST REMAIN ATTACHED TO CANOPY COVER TO ENSURE SAFE INSTALLATION



- 6** USING THE SUGGESTED HANGING CONFIGURATION AS A GUIDE, FEED PENDANT CORDS THROUGH ASSIGNED HOLES IN CANOPY COVER AND STRAIN RELIEFS



- 7** PULL PENDANTS TO DESIRED HEIGHT REFERENCING SUGGESTED HANGING CONFIGURATIONS. USE #2 FLAT HEAD SCREW DRIVER TO SET STRAIN RELIEFS

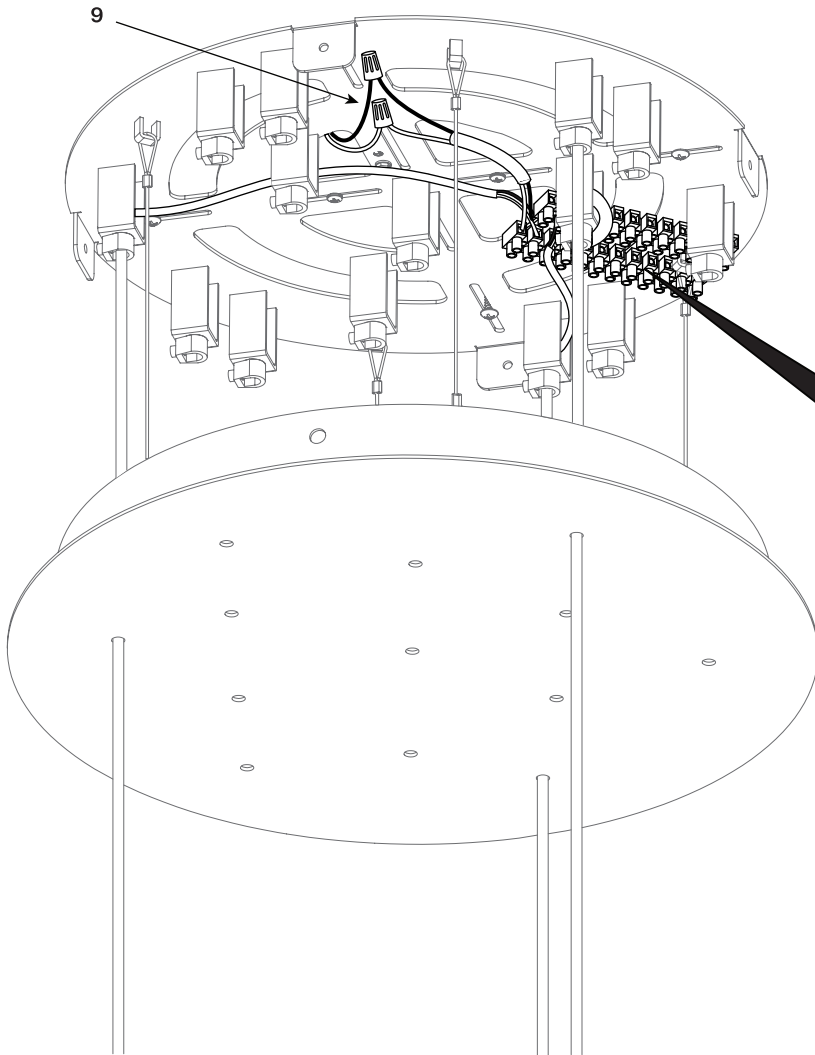


- 8** PRESS RUBBER PLUGS INTO UNUSED HOLES FROM INSIDE OF CANOPY COVER

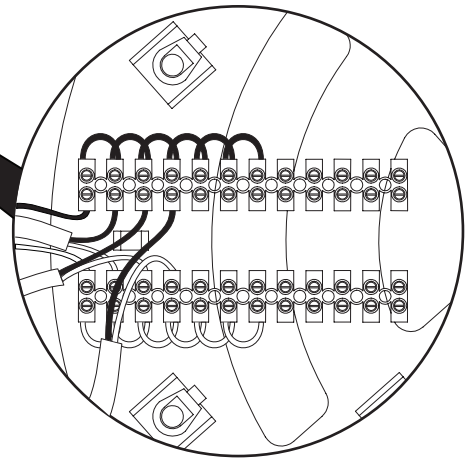
NOTE: INSTALLATION SHOWN IS FOR BEL OCCHIO CHANDELIER 3. FOR BEL OCCHIO CHANDELIER 5, FOLLOW THE SAME WIRING PROCESS USING THE HOLE PLACEMENT OUTLINED IN SUGGESTED HANGING CONFIGURATIONS



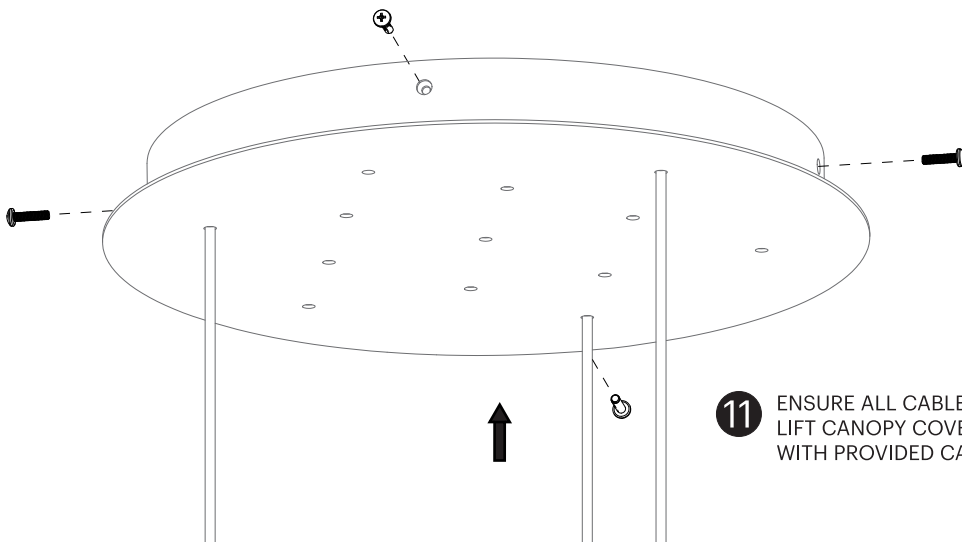
# BEL OCCHIO CHANDELIER



**9** CUT CORDS TO REACH 12-PORT TERMINAL BLOCKS, ALLOWING FOR 3" OF EXTRA CORD PAST TERMINAL BLOCKS. STRIP CORDS SO LEAD WIRES ARE EXPOSED, THEN WIRE CORDS TO TERMINAL BLOCKS AS SHOWN AND SECURE WITH #2 FLAT HEAD SCREW DRIVER



**10** CONNECT BUILDING WIRING TO LEAD WIRE USING PROVIDED WIRE NUTS



**11** ENSURE ALL CABLES AND CORDS ARE TUCKED WITHIN CANOPY COVER. LIFT CANOPY COVER UP TO CEILING AND SECURE TO MOUNTING PLATE WITH PROVIDED CANOPY COVER MACHINE SCREWS