

# LANA TABLE

## DESCRIPTION

Inspired by a fusion of craft and advanced manufacturing, the Lana series is designed to adapt to any space. Lana is comprised of a unique magnetic felt shade that provides limitless attachment possibilities. The new collection debuts with a magnetic LED module which guarantees maximum freedom allowing the light to be attached to any ferrous surface bringing three distinct personalities: wall, table, and floor (with adjustable pedestal).

## FIXTURE TYPE

Table

## LIGHT SOURCE

LED High-Output chip on board

## PRODUCT CODES

Table SM White Stone/Grey:	LANA SML TBL STN/GRY WHT
Table SM White Charcoal/Grey:	LANA SML TBL CHR/GRY WHT
Table SM White Arctic Blue/Grey:	LANA SML TBL ARCT/GRY WHT
Table SM White Moss/Grey:	LANA SML TBL MOSS/GRY WHT
Table SM White Plum/Grey:	LANA SML TBL PLUM/GRY WHT

Table SM Chrome Stone/Grey:	LANA SML TBL STN/GRY CRM
Table SM Chrome Charcoal/Grey:	LANA SML TBL CHR/GRY CRM
Table SM Chrome Arctic Blue/Grey:	LANA SML TBL ARCT/GRY CRM
Table SM Chrome Moss/Grey:	LANA SML TBL MOSS/GRY CRM
Table SM Chrome Plum/Grey:	LANA SML TBL PLUM/GRY CRM

Table LG White Stone/Grey:	LANA LRG TBL STN/GRY WHT
Table LG White Charcoal/Grey:	LANA LRG TBL CHR/GRY WHT
Table LG White Arctic Blue/Grey:	LANA LRG TBL ARCT/GRY WHT
Table LG White Moss/Grey:	LANA LRG TBL MOSS/GRY WHT
Table LG White Plum/Grey:	LANA LRG TBL PLUM/GRY WHT

Table LG Chrome Stone/Grey:	LANA LRG TBL STN/GRY CRM
Table LG Chrome Charcoal/Grey:	LANA LRG TBL CHR/GRY CRM
Table LG Chrome Arctic Blue/Grey:	LANA LRG TBL ARCT/GRY CRM
Table LG Chrome Moss/Grey:	LANA LRG TBL MOSS/GRY CRM
Table LG Chrome Plum/Grey:	LANA LRG TBL PLUM/GRY CRM

## LIGHT CONTROL

Full range dim control 100%-10% (optical switch)

## FEATURES

360° shade rotation  
 Unlimited height adjustability  
 Magnetic attachment

## SPECIFICATIONS

Voltage: 120-240V 50-60Hz  
 Power consumption: 5.5W  
 Color temperature: 3000K  
 Luminosity: 350 Lumens  
 Luminaire efficacy: 64 Lumens/Watt  
 Color Rendition Index: 90+ CRI  
 50K Hour lifespan  
 Cable length: 9' (274cm)  
 1 year warranty  
 Patent pending

## CERTIFICATIONS



## PACKAGING WEIGHT AND DIMENSIONS

Lana Table SM:	8.6LBS	12" X 9.5" X 17"
	4KGS	30cm X 24cm X 52cm
Lana Table LG:	10.9LBS	13.5" X 11" X 22"
	5KGS	34cm X 28cm X 56cm

## NOTES

Custom requests can be considered on volume orders



## SHADE FINISHES



STONE/  
GREY



CHARCOAL/  
GREY



ARCTIC BLUE/  
GREY



MOSS/  
GREY

## BASE FINISHES



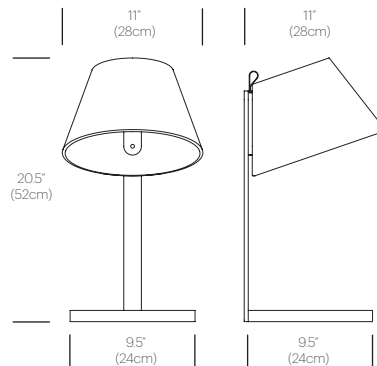
WHITE



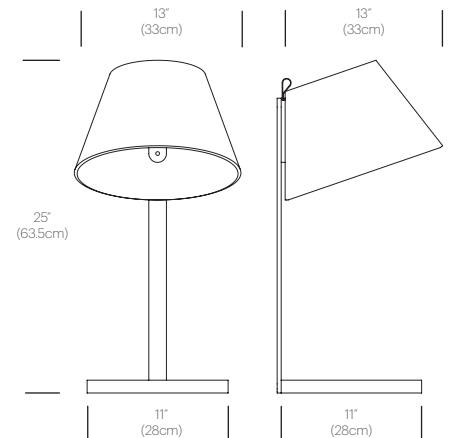
CHROME

## DIMENSIONS

LANA TABLE SM



LANA TABLE LG



# LANA FLOOR

## DESCRIPTION

Inspired by a fusion of craft and advanced manufacturing, the Lana series is designed to adapt to any space. Lana is comprised of a unique magnetic felt shade that provides limitless attachment possibilities. The new collection debuts with a magnetic LED module which guarantees maximum freedom allowing the light to be attached to any ferrous surface bringing three distinct personalities: wall, table, and floor (with adjustable pedestal).

## FIXTURE TYPE

Floor

## LIGHT SOURCE

LED High-Output chip on board

## PRODUCT CODES

Floor White Stone/Grey:	LANA FLR STN/GRY WHT
Floor White Charcoal/Grey:	LANA FLR CHR/GRY WHT
Floor White Arctic Blue/Grey:	LANA FLR ARCT/GRY WHT
Floor White Moss/Grey:	LANA FLR MOSS/GRY WHT
Floor White Plum/Grey:	LANA FLR PLUM/GRY WHT

Floor Chrome Stone/Grey:	LANA FLR STN/GRY CRM
Floor Chrome Charcoal/Grey:	LANA FLR CHR/GRY CRM
Floor Chrome Arctic Blue/Grey:	LANA FLR ARCT/GRY CRM
Floor Chrome Moss/Grey:	LANA FLR MOSS/GRY CRM
Floor Chrome Plum/Grey:	LANA FLR PLUM/GRY CRM

Floor White ped Stone/Grey:	LANA FLR STN/GRY WHT W/PED
Floor White ped Charcoal/Grey:	LANA FLR CHR/GRY WHT W/PED
Floor White ped Arctic Blue/Grey:	LANA FLR ARCT/GRY WHT W/PED
Floor White ped Moss/Grey:	LANA FLR MOSS/GRY WHT W/PED
Floor White ped Plum/Grey:	LANA FLR PLUM/GRY WHT W/PED

Floor Chrome ped Stone/Grey:	LANA FLR STN/GRY CRM W/PED
Floor Chrome ped Charcoal/Grey:	LANA FLR CHR/GRY CRM W/PED
Floor Chrome ped Arctic Blue/Grey:	LANA FLR ARCT/GRY CRM W/PED
Floor Chrome ped Moss/Grey:	LANA FLR MOSS/GRY CRM W/PED
Floor Chrome ped Plum/Grey:	LANA FLR PLUM/GRY CRM W/PED

## LIGHT CONTROL

Full range dim control 100%-10% (optical switch)

## FEATURES

360° shade rotation  
Unlimited height adjustability  
Magnetic attachment

## SPECIFICATIONS

Voltage: 120-240V 50-60Hz  
Power consumption: 5.5W  
Color temperature: 3000K  
Luminosity: 350 Lumens  
Luminaire efficacy: 64 Lumens/Watt  
Color Rendition Index: 90+ CRI  
50K Hour lifespan  
Cable length: 9' (274cm)  
1 year warranty  
Patent pending

## CERTIFICATIONS



## PACKAGING WEIGHT AND DIMENSIONS

Lana Floor:	7LBS	14" X 14" X 55"
	3.2KGS	35.5cm X 35.5cm X 140cm

## NOTES

Custom requests can be considered on volume orders

**Pablo**



## SHADE FINISHES



STONE/  
GREY



CHARCOAL/  
GREY



ARCTIC BLUE/  
GREY



MOSS/  
GREY



PLUM/  
GREY

## BASE FINISHES



WHITE



CHROME

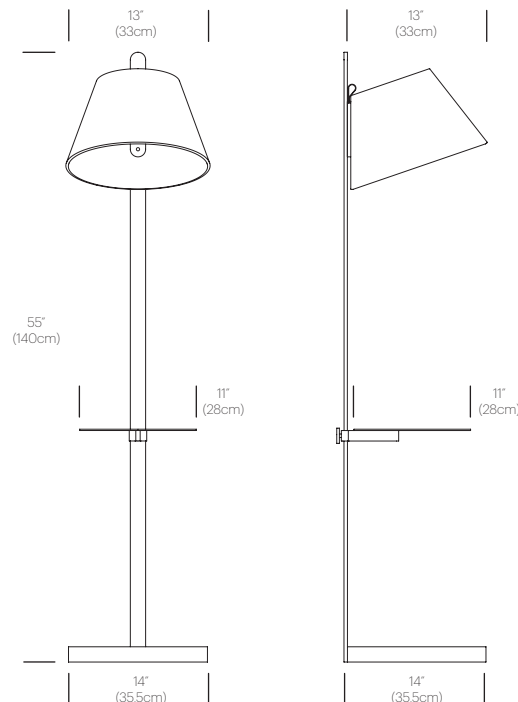


WHITE/  
CHROME

## PEDESTAL FINISH

## DIMENSIONS

LANA FLOOR



# LANA WALL

## DESCRIPTION

Inspired by a fusion of craft and advanced manufacturing, the Lana series is designed to adapt to any space. Lana is comprised of a unique magnetic felt shade that provides limitless attachment possibilities. The new collection debuts with a magnetic LED module which guarantees maximum freedom allowing the light to be attached to any ferrous surface bringing three distinct personalities: wall, table, and floor (with adjustable pedestal).

## FIXTURE TYPE

Wall

## LIGHT SOURCE

LED High-Output chip on board

## PRODUCT CODES

Wall SM Stone/Grey:	LANA WALL SML STN/GRY
Wall SM Charcoal/Grey:	LANA WALL SML CHR/GRY
Wall SM Arctic Blue/Grey:	LANA WALL SML ARCT/GRY
Wall SM Moss/Grey:	LANA WALL SML MOSS/GRY
Wall SM Plum/Grey:	LANA WALL SML PLUM/GRY

Wall LG Stone/Grey:	LANA WALL LRG STN/GRY
Wall LG Charcoal/Grey:	LANA WALL LRG CHR/GRY
Wall LG Arctic Blue/Grey:	LANA WALL LRG ARCT/GRY
Wall LG Moss/Grey:	LANA WALL LRG MOSS/GRY
Wall LG Plum/Grey:	LANA WLAL LRG PLUM/GRY

## LIGHT CONTROL

Full range dim control 100%-10% (optical switch)

## FEATURES

360° shade rotation  
 Unlimited height adjustability  
 Magnetic attachment

## SPECIFICATIONS

Voltage: 120-240V 50-60Hz  
 Power consumption: 5.5W  
 Color temperature: 3000K  
 Luminosity: 350 Lumens  
 Luminaire efficacy: 64 Lumens/Watt  
 Color Rendition Index: 90+ CRI  
 50K Hour lifespan  
 Cable length: 9' (274cm)  
 1 year warranty  
 Patent pending

## CERTIFICATIONS



## PACKAGING WEIGHT AND DIMENSIONS

Lana Wall SM:	2.65LBS	11.5" X 11.5" X 7.5"
	3KGS	29cm X 29cm X 19cm
Lana Wall LG:	3.05LBS	13" X 13" X 8.5"
	3KGS	33cm X 33cm X 21.5cm

## NOTES

Custom requests can be considered on volume orders



## SHADE FINISHES

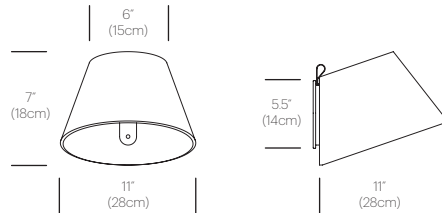


## BASE FINISHES



## DIMENSIONS

### LANA WALL SM



### LANA WALL LG

