

# CORNER OFFICE

## DESCRIPTION

Corner office systemic and flexible, offering various degrees of privacy and power provision. The system comprises three elements: a glare-free, fully dimmable LED corner task light that incorporates power ports featured in its armature; a set of optional acoustic deterrent fabric panels; and an optional pocket accessory that provides a place to store a phone or tablet, keeping things clutter-free. Easily reconfigurable, the system is light weight and easy to assemble and install.

## FIXTURE TYPE

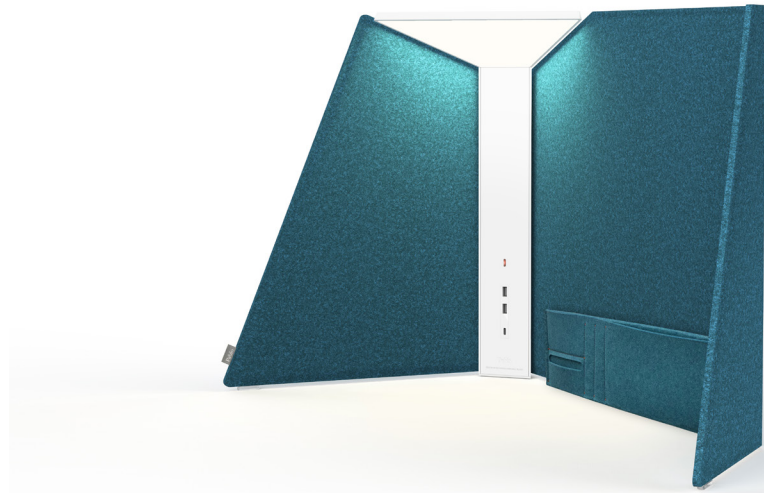
Table

## LIGHT SOURCE

LED Flat-Panel

## PRODUCT CODES

Corner Office 15 (Chestnut):	CO15 ACO
Corner Office 15 (Anthracite):	CO15 ANTH
Corner Office 15 (Stone):	CO15 STN
Corner Office 15 (Turquoise):	CO15 TURQ
Corner Office 30 (Chestnut):	CO30 ACO
Corner Office 30 (Anthracite):	CO30 ANTH
Corner Office 30 (Stone):	CO30 STN
Corner Office 30 (Turquoise):	CO30 TURQ



## FINISHES



TURQUOISE



CHESTNUT



STONE GREY



ANTHRACITE

## DIMENSIONS

## FEATURES

- Available with two sizes of interchangeable panels
- Panels are reversible with many possible configurations
- Light + power ports + visual privacy + sound damping
- Optimally positioned warm glare-free LED illumination
- Fully dimmable with optical touch switch
- Reversible pocket accessory included
- 2 USB type A 3.0 - 10W Charging Ports
- 1 USB type C 3.1 - 35W Charging Port

## SPECIFICATIONS

- Voltage: 120-240V 50/60Hz
- Power Consumption: LED - 8W, System Power - 63W
- Color Temperature: 3000K
- Luminosity: 600 lm
- Luminaire efficacy: 75 Lumens/Watt
- Color Rendition Index: 80 CRI
- 50K hour lifespan
- Cable Length: 10' (3M)

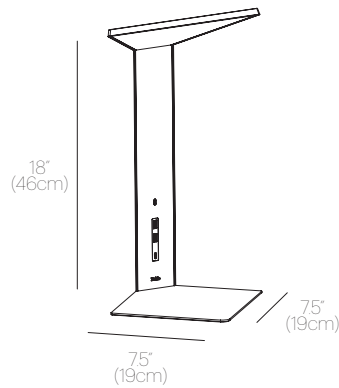
## CERTIFICATION



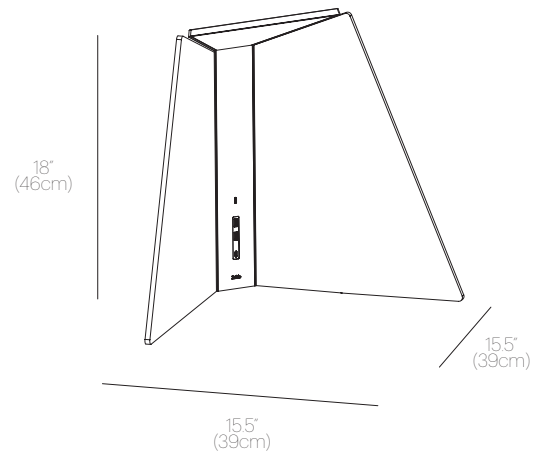
## PACKAGING WEIGHT AND DIMENSIONS

Corner Office 15, 30	10LBS	24" X 18.5"
	4.5KG	61cm X 47cm

CORNER OFFICE LIGHT



CORNER OFFICE 15



CORNER OFFICE 30

